



**GEEPLUS**

**T1L-1240-xxV**

Duty Cycle =  $\frac{\text{"on" time}}{\text{"on" time} + \text{"off" time}} \times 100\%$       50% ED

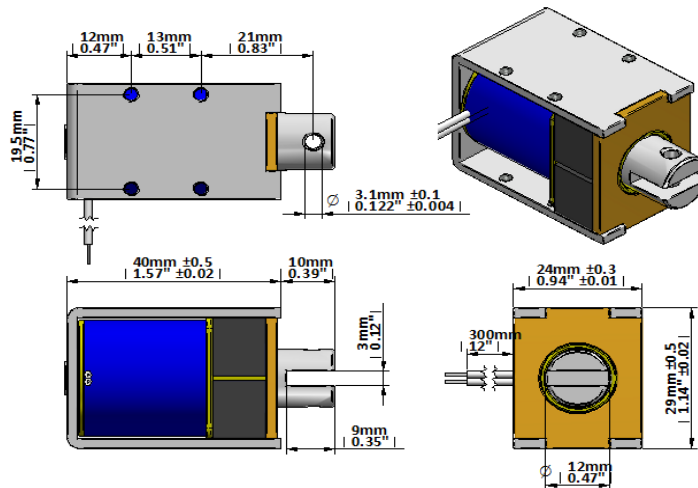
**Coil Data**

Maximum "on" time in seconds	15
Watts at 20°C	8
Ampere-Turns at 20°C	620

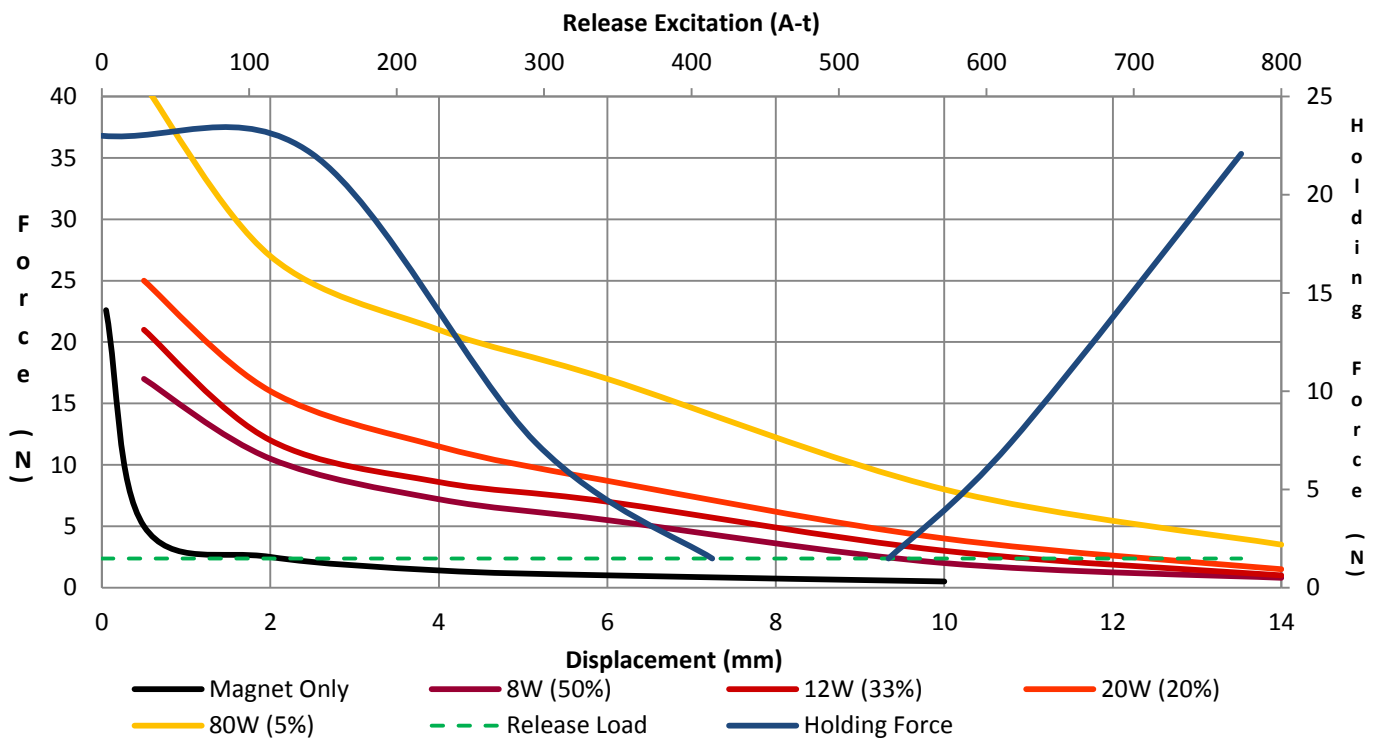
P/N	Resistance ±10% @ 20°C	Coil Turns	Volts DC	Release Current
T1L-1240-6v	4.5 Ω	450	6	1330 mA
T1L-1240-12v	18.0 Ω	920	12	670 mA
T1L-1240-24v	72.0 Ω	1900	24	330 mA

**General Parameters**

Life Expectancy (Cycles)	200,000
Mass	133 grammes
Plunger Mass	31.1 grammes
Leadwires 250mm (10")min, UL1007, AWG24	
Isolation Class	A (105°C)
Dielectric Strength 1000V AC, 50/60Hz, 1min	
Insulation Res >100MΩ, 500V DC Megger	



**Force (N) vs Displacement (mm) & Release Characteristic**



Geeplus reserves the right to change specifications without notice

[www.geeplus.biz](http://www.geeplus.biz) e-mail: [info@geeplus.biz](mailto:info@geeplus.biz)