

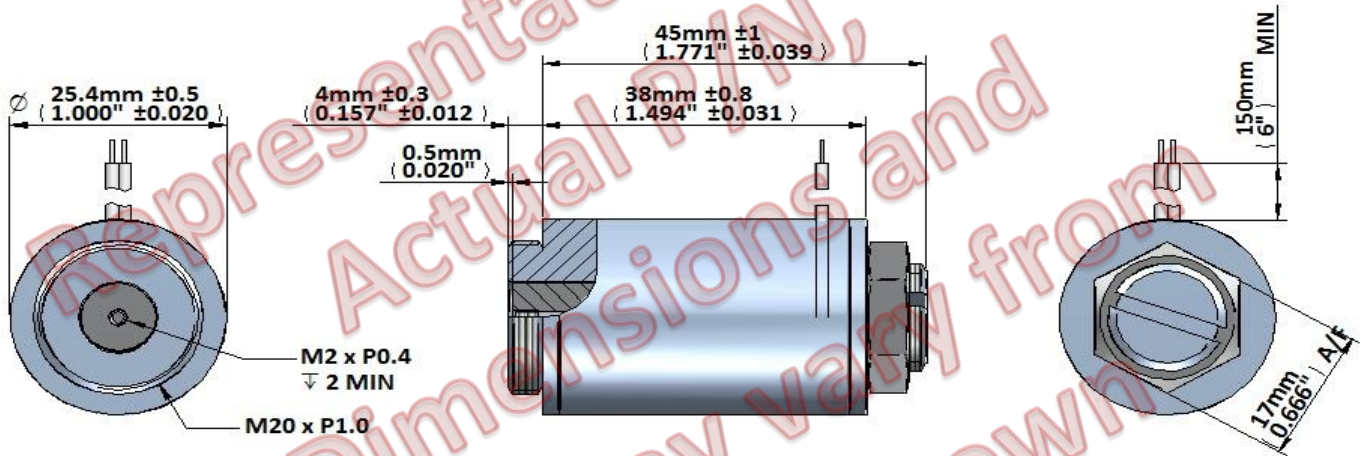
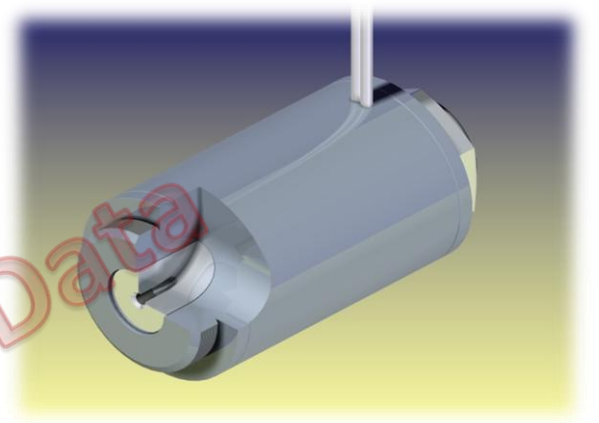


GEEPLUS

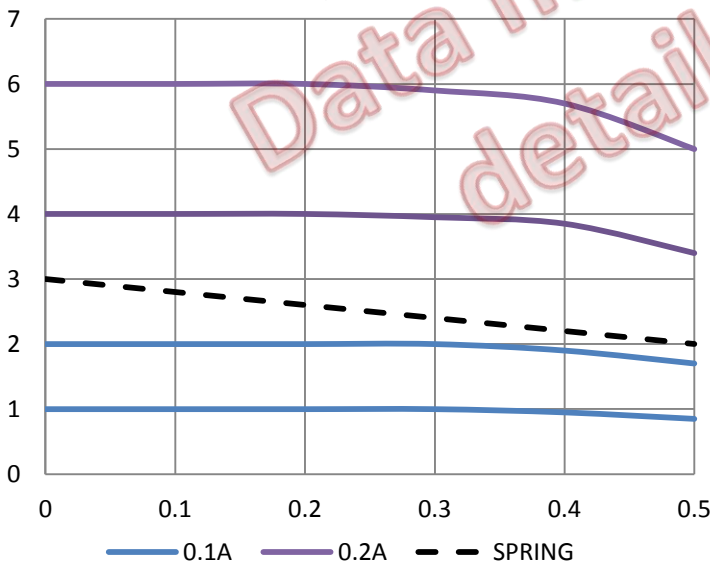
PS26C

Specifications

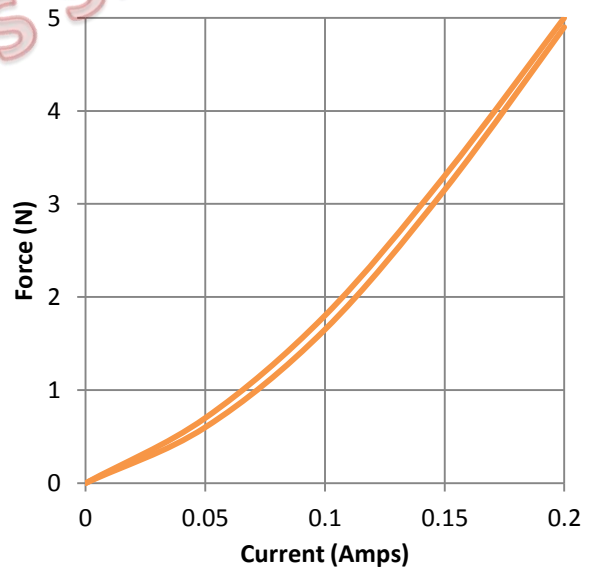
Parameter	Value
Rated Voltage	15 Volts
Current	0.2 Amps Max
Resistance	50 Ω
Nominal Power	2 Watts
Insulation Class	Class B (130°C)
Rated Pressure	0.35 MPa / 50PSI
Burst Pressure	1.03MPa / 150PSI
Dielectric Strength	AC 1000 V, 1 minute
Insulation Resistance	>100MΩ @ DC 500V



Force (N) vs Displacement (mm)



Hysteresis @ Stroke 0.3mm (.012")



Geeplus reserves the right to change specifications without notice

www.geeplus.biz e-mail: info@geeplus.biz